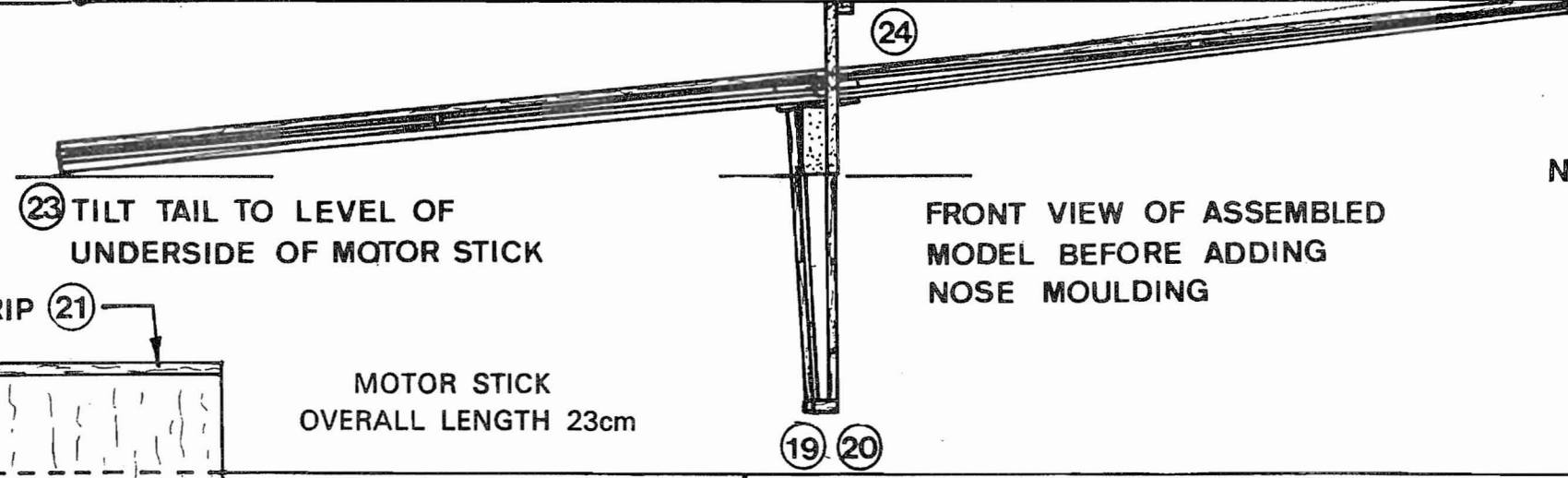
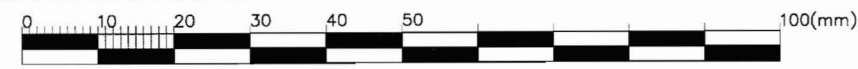
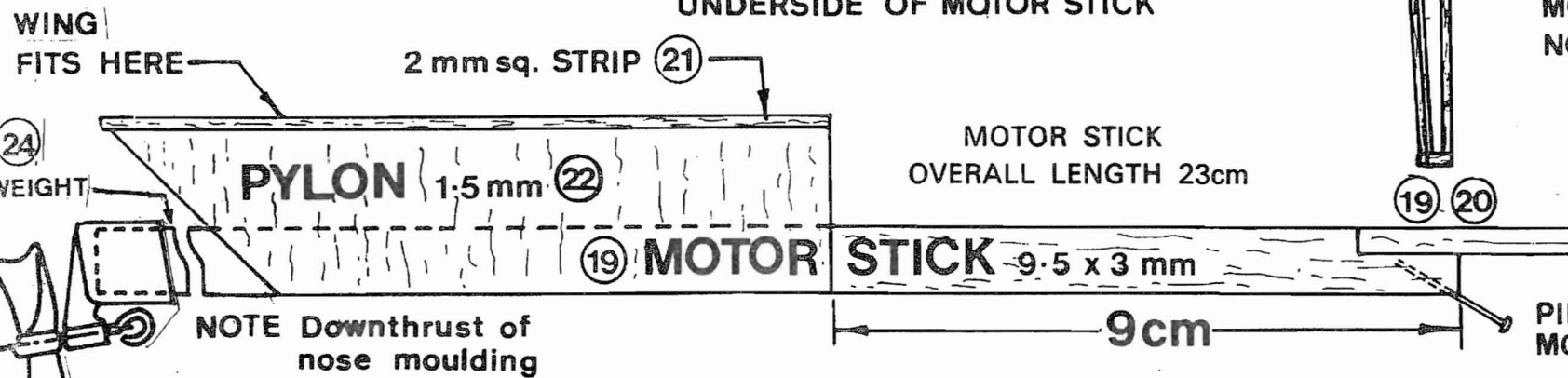
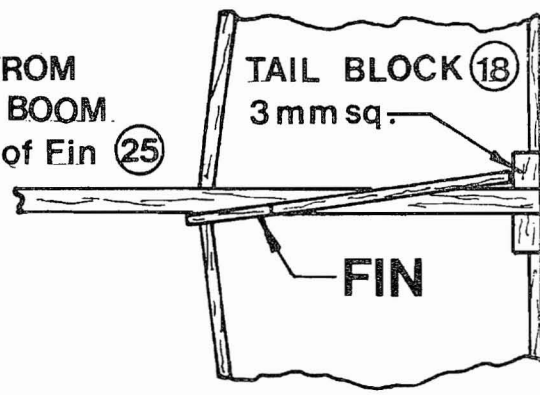


NOTE.
NUMBERS CIRCLED ④ REFER TO INSTRUCTION SHEET



VIEW FROM BELOW BOOM.
NOTE Angle of Fin ②⑤



Gyminnie Cricket

A P15 CLASS RUBBER POWERED MODEL AIRCRAFT
Designed by MIKE COLLING for the BMFA & AERO
Graphics by TREVOR FAULKNER

