

FROM 2mmsq. STRIP

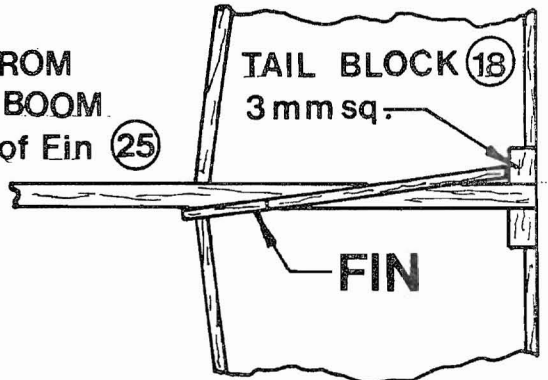
X 6

5cm

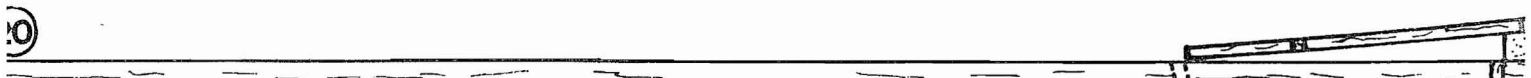
DIHEDRAL AT BOTH WING TIPS



VIEW FROM BELOW BOOM.
NOTE Angle of Fin 25

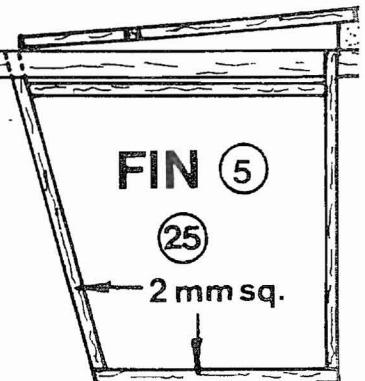
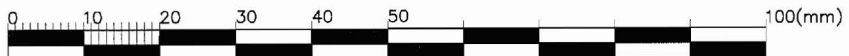


FRONT VIEW OF ASSEMBLED MODEL BEFORE ADDING NOSE MOULDING



20 BOOM 3 mmsq.

PIN FOR REAR MOTOR ANCHORAGE



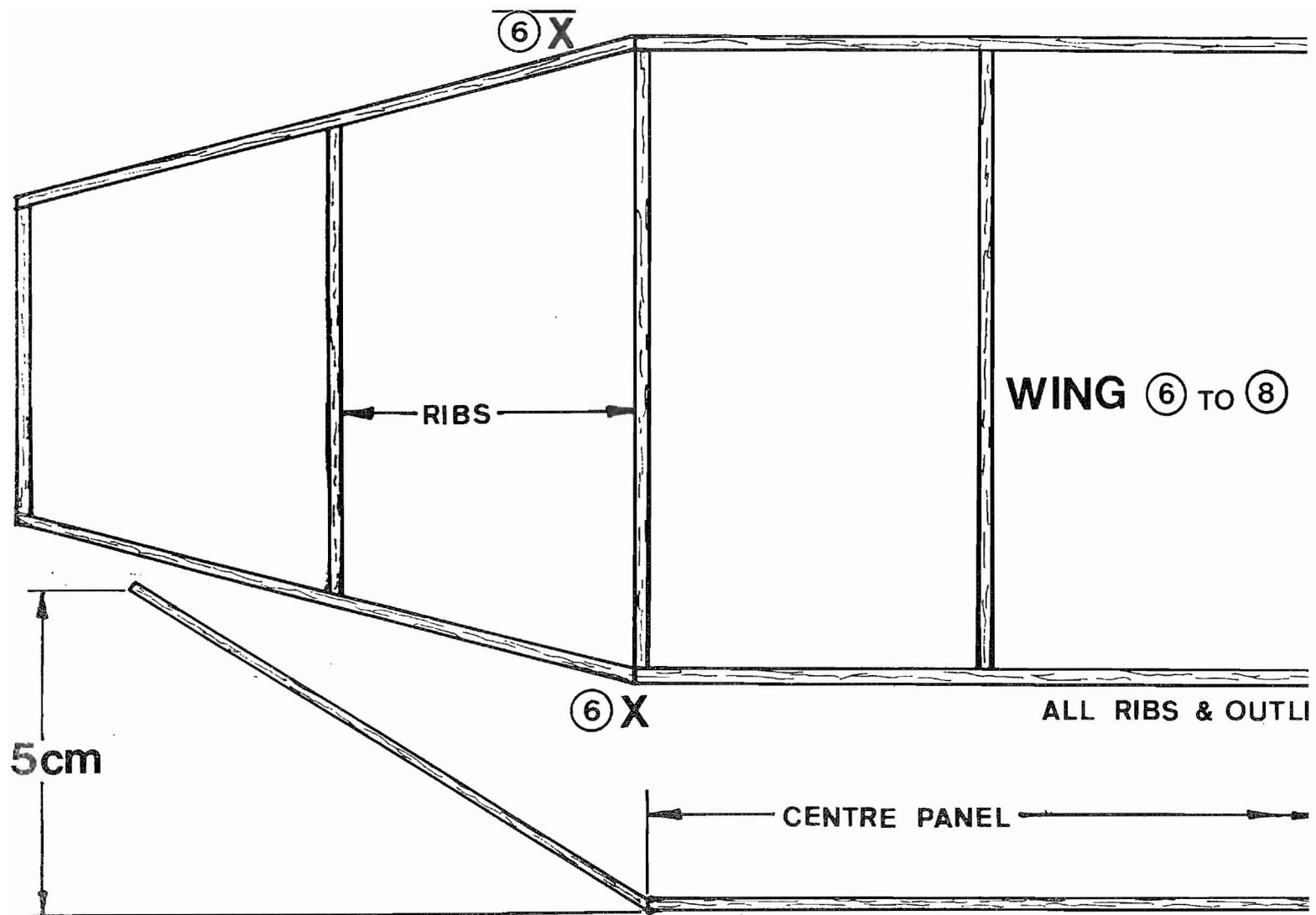
Gyminnie Cricket

A P15 CLASS RUBBER POWERED MODEL AIRCRAFT

Designed by MIKE COLLING for the BMFA & AERO

Graphics by TREVOR FAULKNER

© M. COLLING



NOTE.

NUMBERS CIRCLED (4) REFER TO INSTRUCTION SHEET

WING FITS HERE

2 mm sq. STRIP (21)

(24)

WEIGHT

PYLON 1.5 mm (22)

(23) TILT TAIL TO LEVEL OF UNDERSIDE OF MOTOR STICK

MOTOR STICK OVERALL LENGTH 23cm

(19) **MOTOR STICK** 9.5 x 3 mm

NOTE Downthrust of nose moulding

9cm

TAIL (1) TO (4)

ALL STRIPS 2mmsq.

